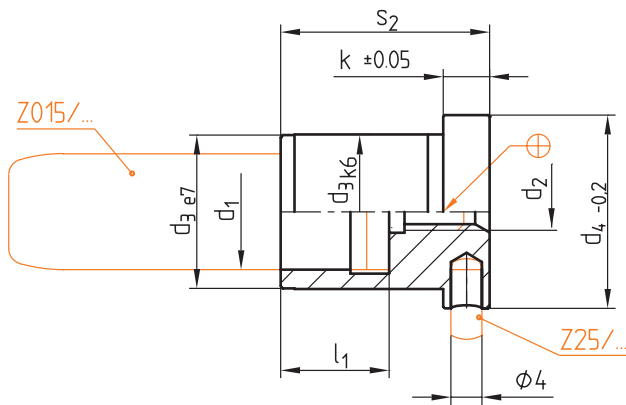
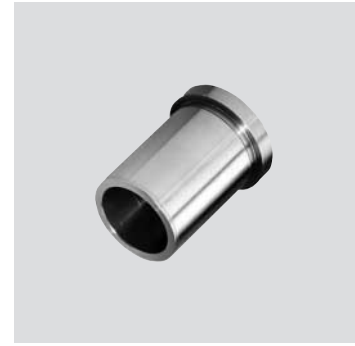


Z0151/...

Mat.: 1.2312/1080 N/mm<sup>2</sup>



$l_1$	k	$d_2$	$d_4$	$s_2$	$d_3$	$d_1$	$\varnothing$	Nr./No.	$d_1$	Nr./No.
14	6	M 4	25	27	20	14	$\varnothing$	Z0151/27x20/14	15	Z0151/27x20/15
				36				36		
				46				46		
				56				56		
16	6	M 6	31	36	26	18	$\varnothing$	Z0151/36x26/18	20	Z0151/36x26/20
				46				46		
				56				56		
				76				76		
20	6	M 8	35	36	30	22	$\varnothing$	Z0151/36x30/22	24	Z0151/36x30/24
				46				46		
				56				56		
				76				76		
25	6	M10	47	46	42	30	$\varnothing$	Z0151/46x42/30	32	Z0151/46x42/32
				56				56		
				76				76		
				96				96		

This is trial version  
www.adultpdf.com